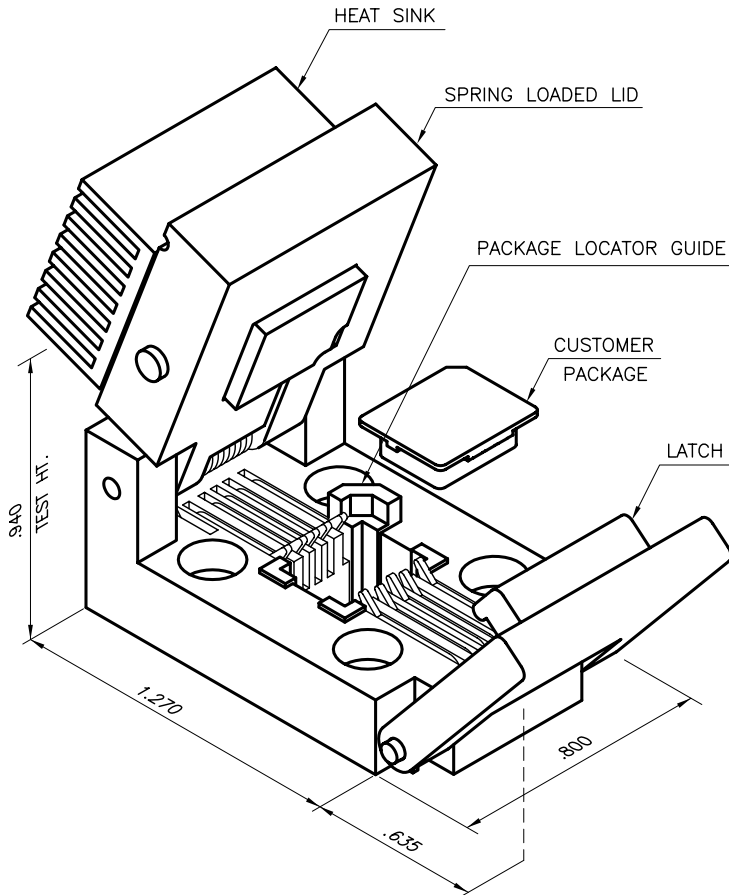




SOCKET-TEST FOR
MICROWAVE PACKAGES

63102

01/07



SPECIFICATIONS:

INSULATOR: POLYPHENYLENE SULFIDE (PPS)

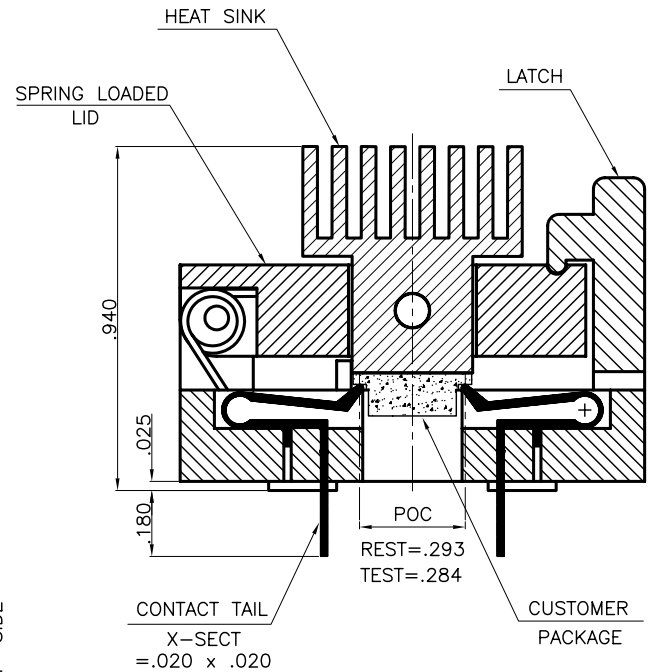
CONTACT: BeCu., SPRING TEMPERED
30u GOLD OVER 30u NICKEL.

HEAT SINK: ALUMINUM ANODIC OXIDIZED
COLOR BLACK.

THERMAL RANGE: -55°C to +155°C.

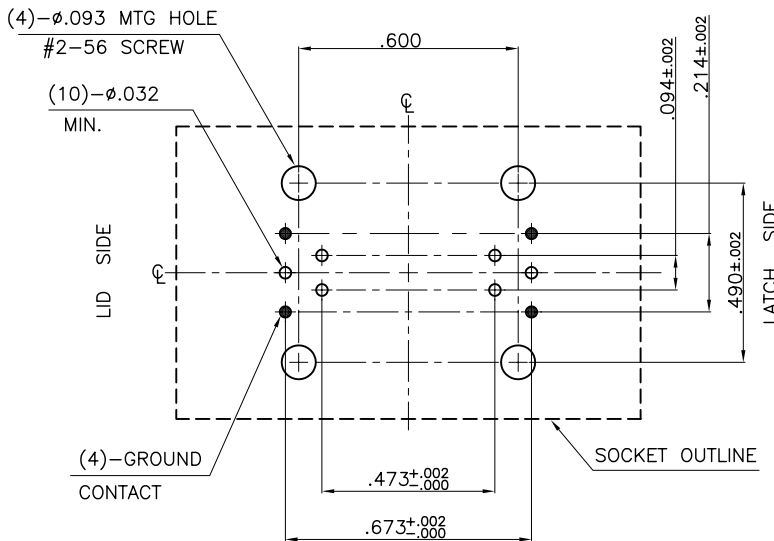
FEATURES:

REPAIRABLE.



SECTION THRU CONTACT

SCALE: NTS



FOOTPRINT

(SOCKET SIDE OF BOARD)



2605 S El Camino Real
San Clemente, CA 92672 USA

PH: 949.492.6481 FX: 949.492.0744
sales@azimuth-electronics.com
www.azimuth-electronics.com