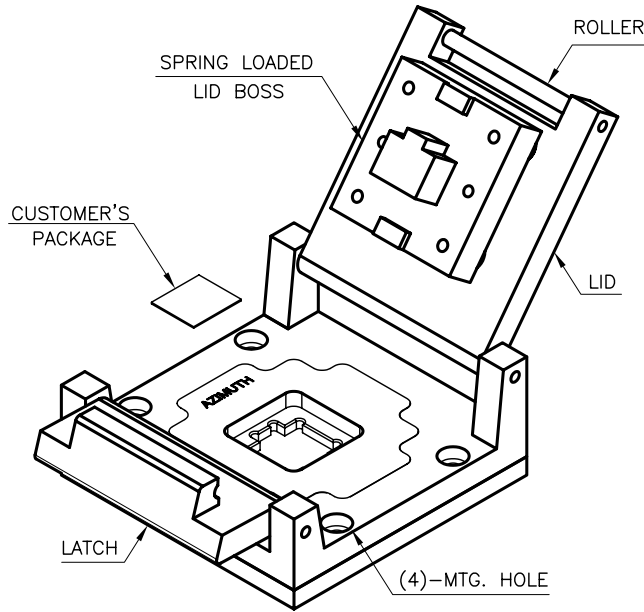




SOCKET- TEST FOR  
.65mm c/c x 48 PADS CHIP

**63087**

01/07



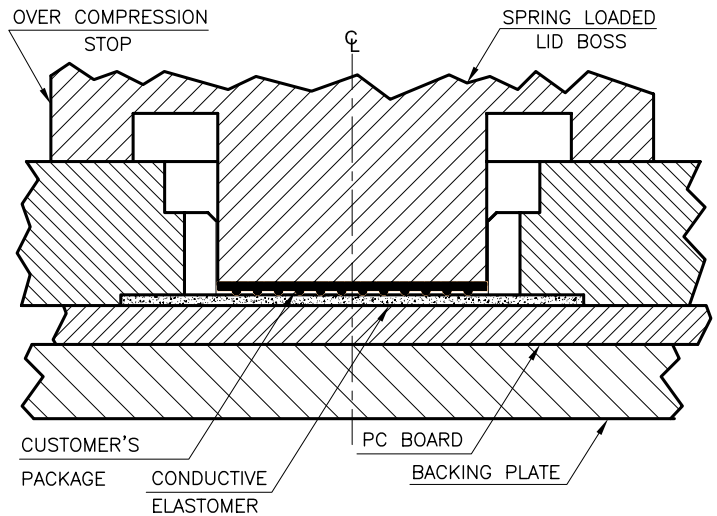
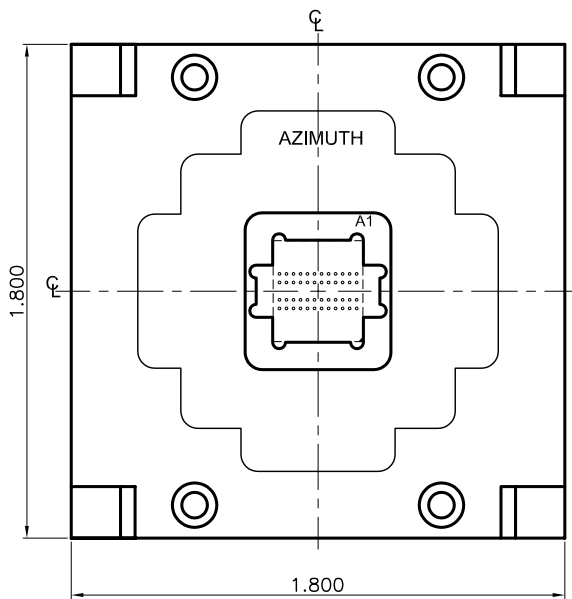
**SPECIFICATIONS:**

INSULATOR: PES & PEI  
BACKING PLATE: ALUMINUM  
CONTACT: CONDUCTIVE ELASTOMER  
THERMAL RANGE: -55°C to +150°C.

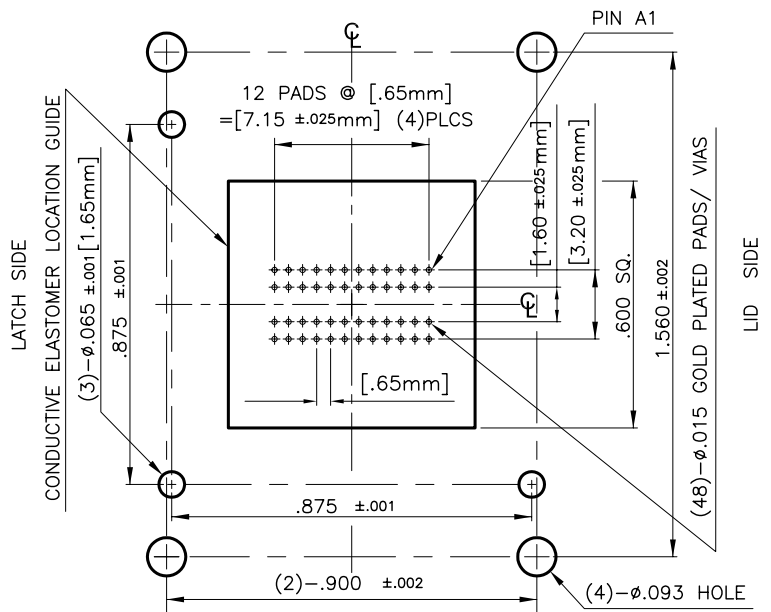
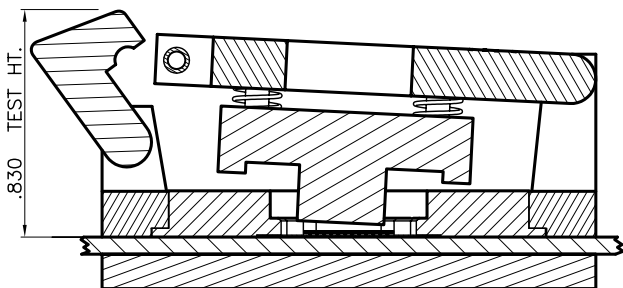
**FEATURES:**

REPAIRABLE.

NOTE: LID & LATCH ARE NOT SHOWN FOR CLARITY.



**CROSS-SECTION SOCKET AT TEST**



**FOOTPRINT**

SOCKET SIDE OF BOARD