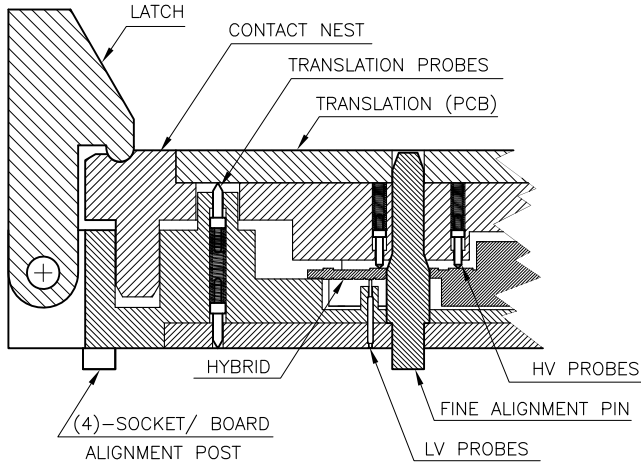


Azimuth

BURN-IN SOCKET

63069-014

05/08



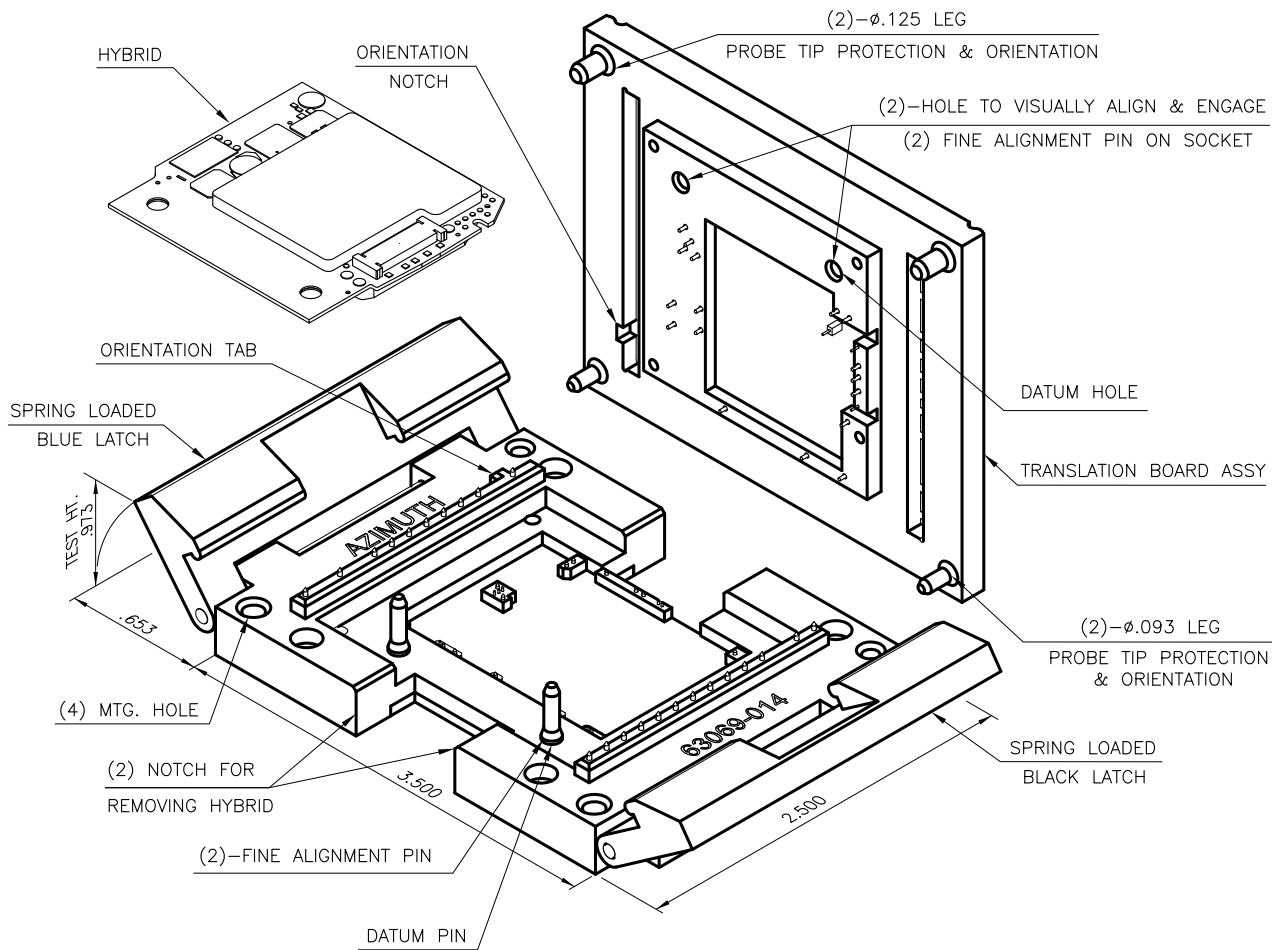
SECTION THRU CONTACT

SPECIFICATIONS:

- INSULATOR: POLYETHERSULFONE (PES)
- CONTACT: DOUBLE ENDED SPRING PROBE PLATING - BeCu HARD Au OVER Ni

FEATURES:

- TESTS FINE PITCH DOUBLE SIDED HYBRID
- ACCURATE PROBE TO PAD LOCATION
- HIGH & LOW VOLTAGE CONNECTIONS
- COLOR TRANSLATION BOARD TO SOCKET BASE ORIENTATION
- BURN-IN TEMPERATURE 125°C
- COMPRESSION MOUNT
- REPAIRABLE



Azimuth
ELECTRONICS, INC.

2605 S El Camino Real
San Clemente, CA 92672 USA

PH: 949.492.6481 FX: 949.492.0744
sales@azimuth-electronics.com
www.azimuth-electronics.com