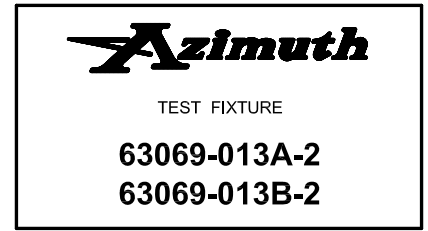


**TEST FIXTURE**  
**63069-013A-2**

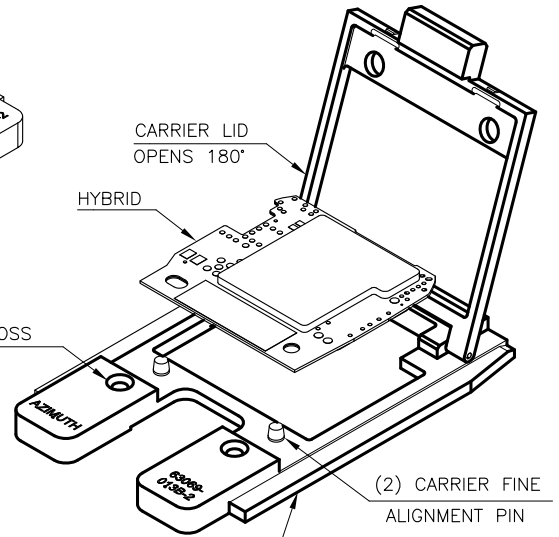
**FEATURES:**

- TESTS FINE PITCH DOUBLE SIDED HYBRID PACKAGE.
- ACCURATE PROBE TO HYBRID PAD LOCATION.
- CARRIER PROTECTS/ LOCATE HYBRID.
- LOCK-OUT TEST FIXTURE OPERABLE ONLY WHEN HYBRID/ CARRIER PROPERLY INSTALLED.
- PROTECTS HYBRID FROM LIGHT DURING TEST.
- COMPRESSION MOUNT.
- REPAIRABLE.



**SPECIFICATIONS:**

- INSULATOR: BLACK DELRIN
- CONTACT: DOUBLE ENDED SPRING PROBE  
PLATING: BeCu HARD Au OVER Ni



**REMOVABLE CARRIER**

**63069-013B-2**  
(2.274 x 3.450 x .230)

