

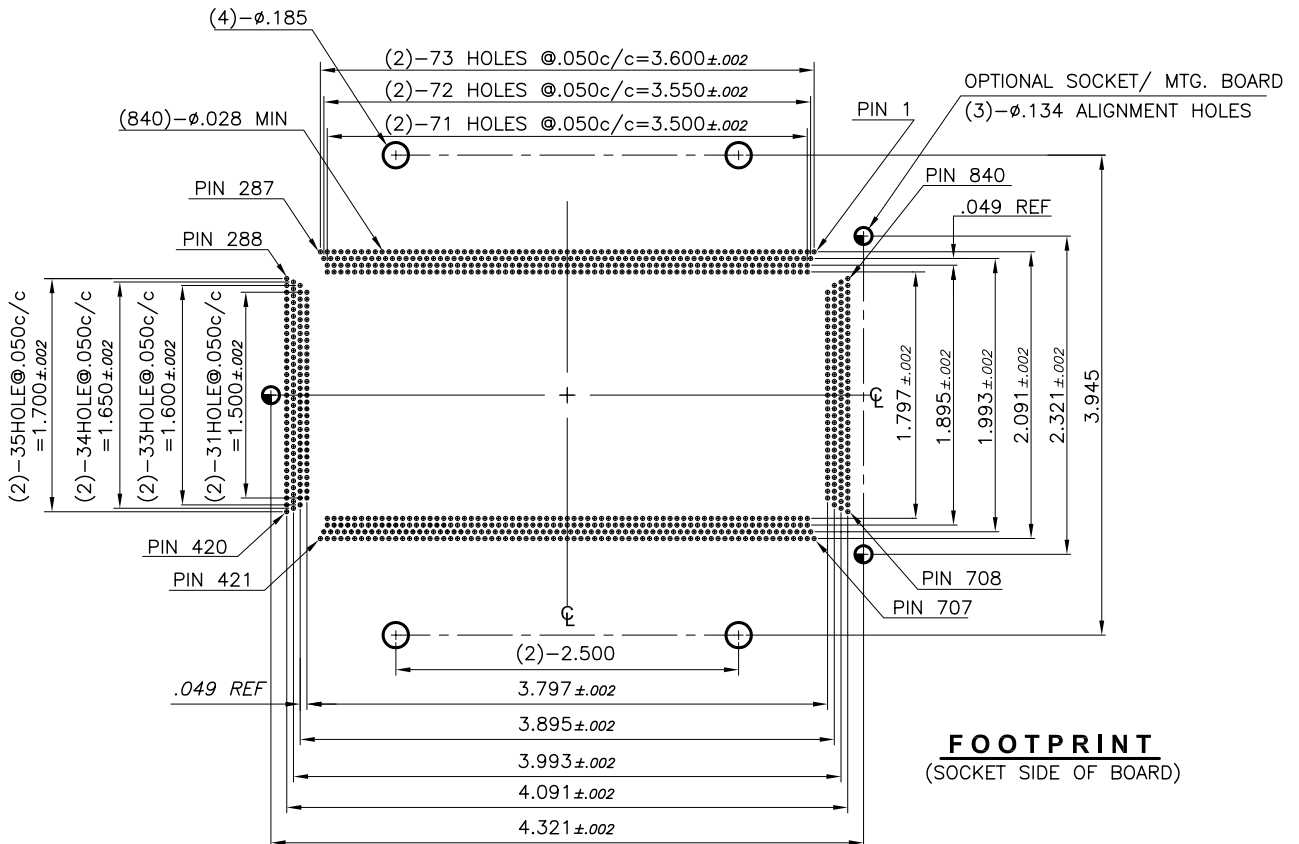
**SPECIFICATIONS:**

INSULATOR: POLYETHERSULFONE (PES), POLYPHENYLENE SULFIDE (PPS) & POLYETHERIMIDE (PEI)  
CONTACT: PLUNGER- BERYLLIUM COPPER, GOLD PLATED  
CONTACT BARREL- NICKEL SILVER, GOLD PLATED  
SPRING- STAINLESS STEEL, GOLD PLATED  
0.75 oz. @ .025 TRAVEL  
THERMAL RANGE: -55°C/ +155°C

**FEATURES:**

REPAIRABLE

**SECTION THRU CONTACT TEST POSITION**



**FOOTPRINT**  
(SOCKET SIDE OF BOARD)