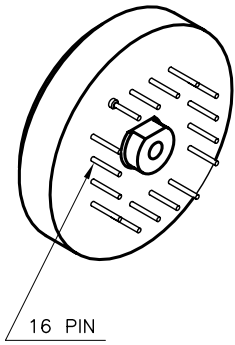




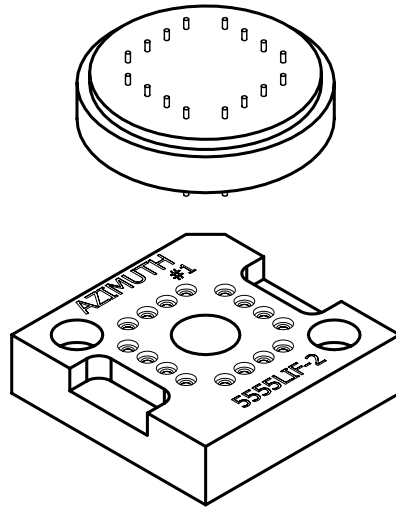
SOCKET- TEST FOR
16 PIN TO @ .100 c/c

5555LIF-2

01/07



16 PIN

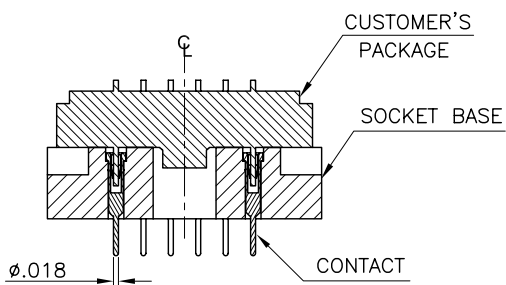
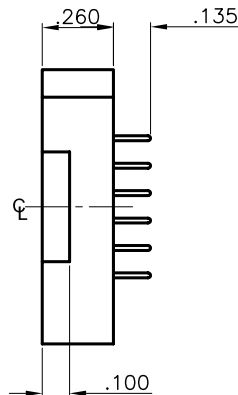
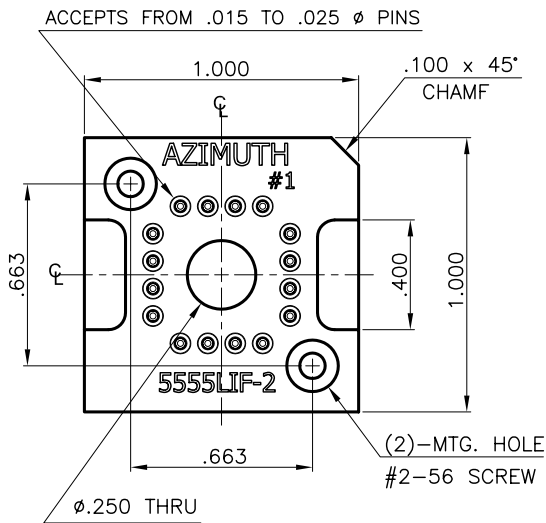


SPECIFICATIONS:

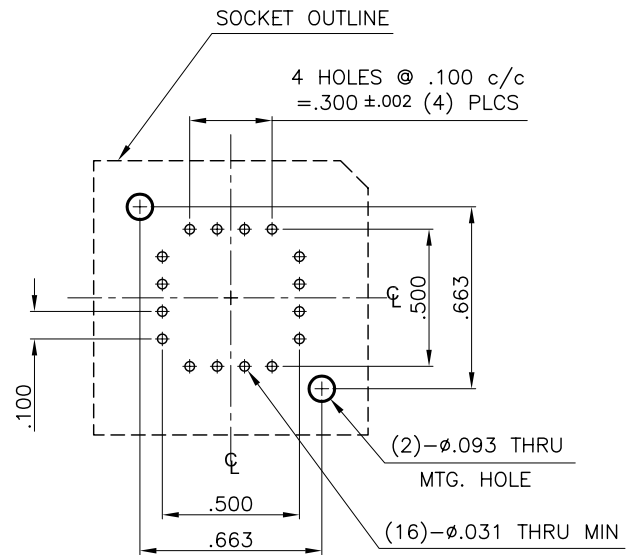
- INSULATOR: POLYETHERIMIDE (PEI)
- CONTACT: BERYLLIUM COPPER ALLOY
- SHELL: BRASS ALLOY
- FINISH: 30u GOLD OVER 30u NICKEL
- THERMAL RANGE: -55°C to +155°C.

FEATURES:

- LOW INSERTION FORCE.
- REPAIRABLE.



SECTION THRU CONTACT



FOOTPRINT

SOCKET SIDE OF BOARD



2605 S El Camino Real
San Clemente, CA 92672 USA

PH: 949.492.6481 FX: 949.492.0744
sales@azimuth-electronics.com
www.azimuth-electronics.com