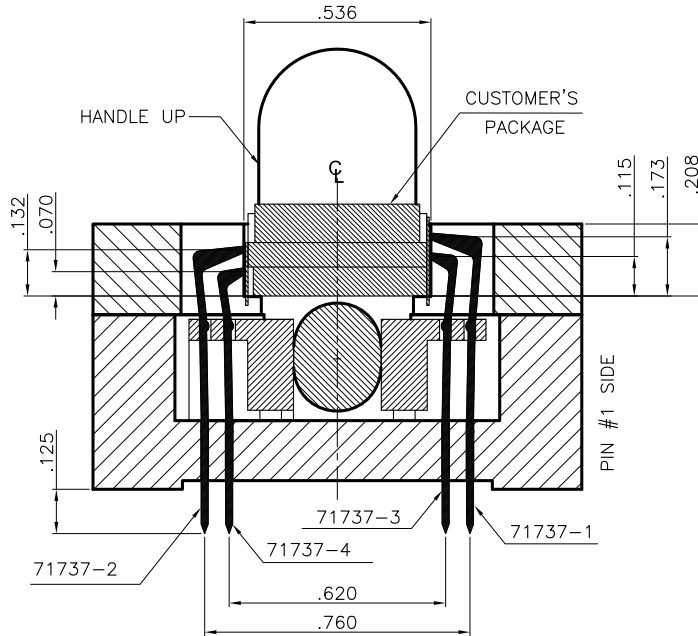




TEST SOCKET

5330ZIF-050-46

05/08



SECTION THRU CONTACT

(TEST POSITION)

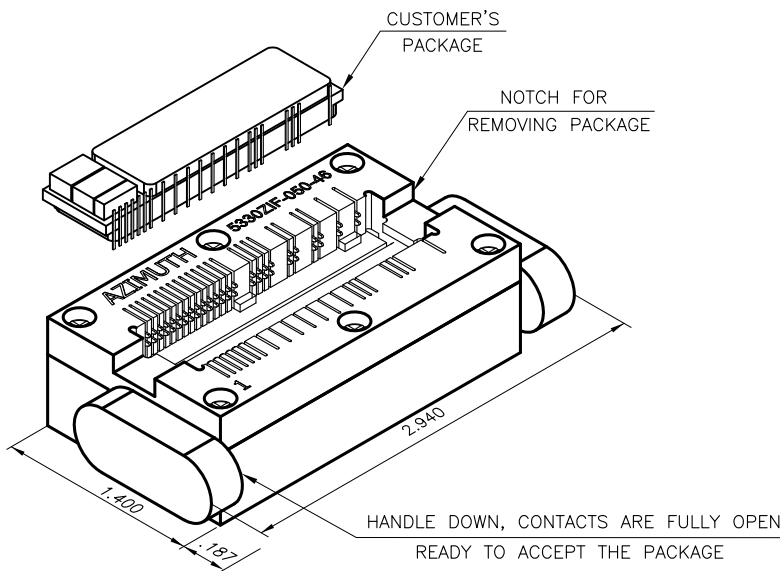
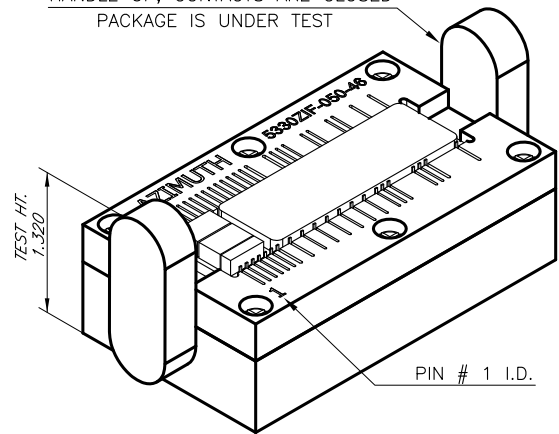
SPECIFICATIONS:

- INSULATOR: POLYETHERIMIDE (PEI)
- CONTACT: BeCu., SPRING TEMPERED
30u GOLD OVER 30u NICKEL.

FEATURES:

- KELVIN CONTACTS
- ACCURATE CONTACT TO LEAD POSITIONING
- ZERO INSERTION FORCE
- REPAIRABLE

HANDLE UP, CONTACTS ARE CLOSED
PACKAGE IS UNDER TEST



HANDLE DOWN, CONTACTS ARE FULLY OPEN
READY TO ACCEPT THE PACKAGE