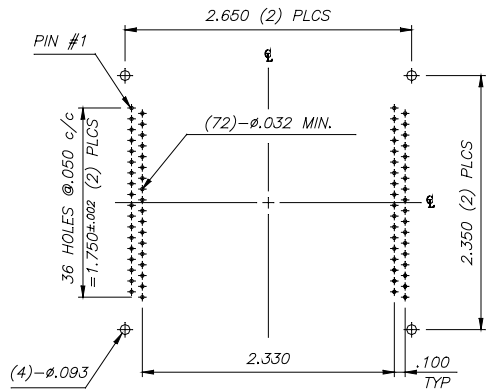
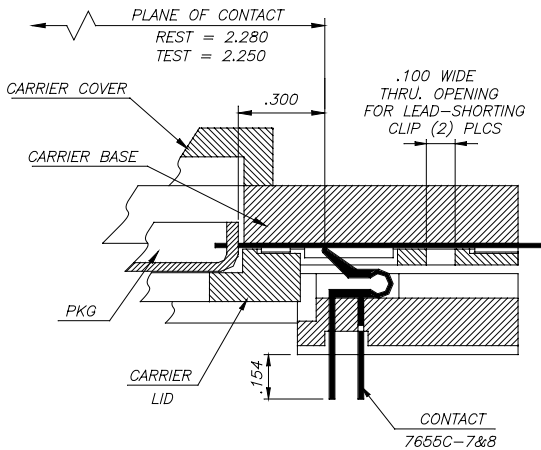


SPECIFICATIONS:

INSULATOR: PPS (POLYPHENYLENE SULFIDE).
 LID: BeCu, NICKEL PLATED.
 LATCH POST: BRASS, NICKEL PLATED.
 CONTACT: BeCu, SPRING TEMPERED.
 30u GOLD OVER 30u NICKEL.
 THERMAL RANGE: -55°C/+155°C.

FEATURES:

REPAIRABLE.
 USED WITH CARRIER PART No. 6151B.



FOOTPRINT

Azimuth

CARRIER FOR .050 c/c X 72 LDS

6151B

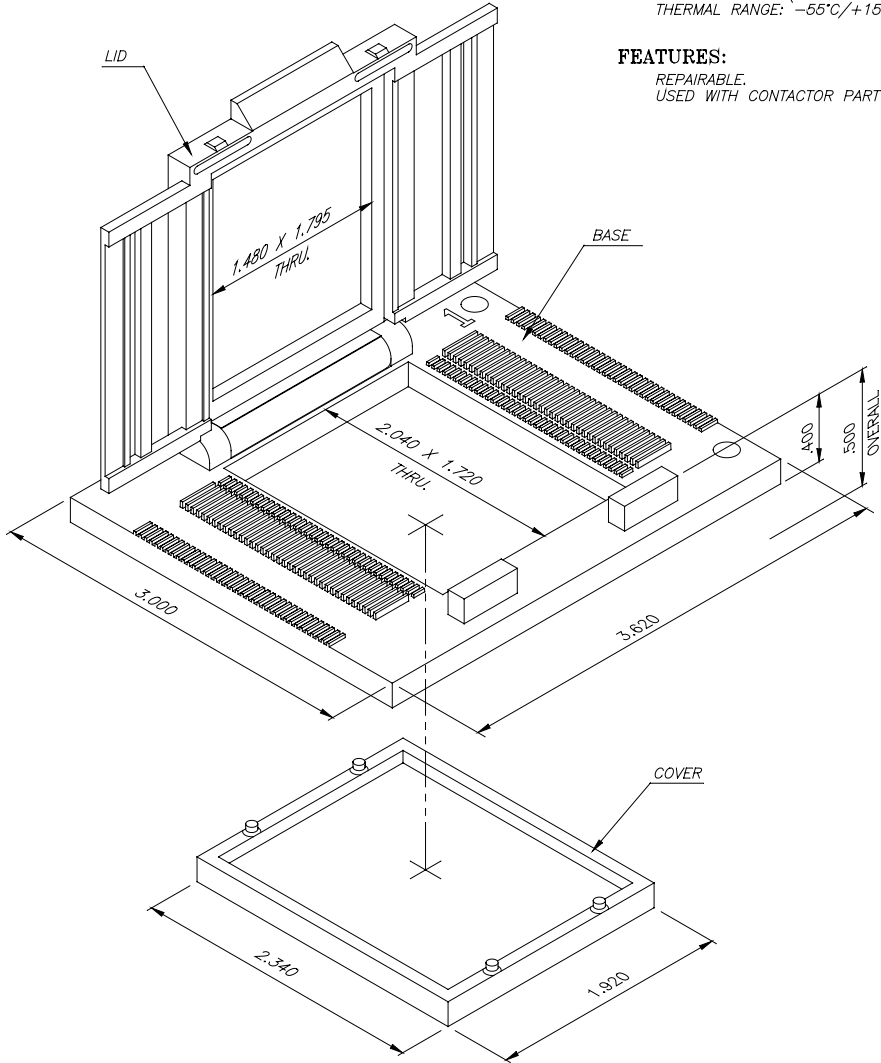
11/00

SPECIFICATIONS:

INSULATOR: PPS (POLYPHENYLENE SULFIDE).
THERMAL RANGE: -55°C/+155°C.

FEATURES:

REPAIRABLE.
USED WITH CONTACTOR PART No. 6151A.



Azimuth
ELECTRONICS, INC.

2605 So. EL CAMINO REAL
SAN CLEMENTE, CA 92672 USA

(949) 492-6481 FAX (949) 492-0744
EMAIL sales@azimuth-electronics.com
www.azimuth-electronics.com