



CARRIER FOR .050 c/c FLAT PACKS

6108-1,-2,&-3

AND

6108-1,-6,&-7

11/00

SPECIFICATIONS:

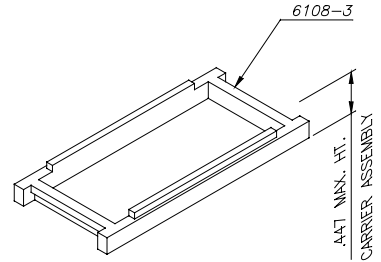
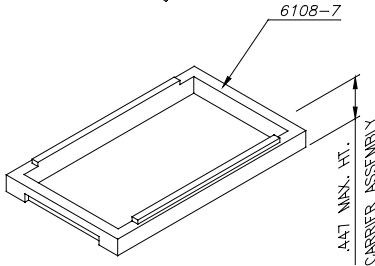
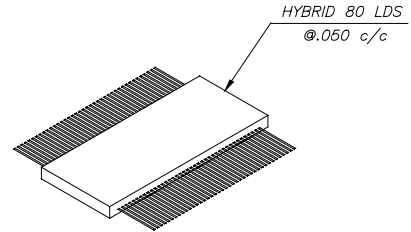
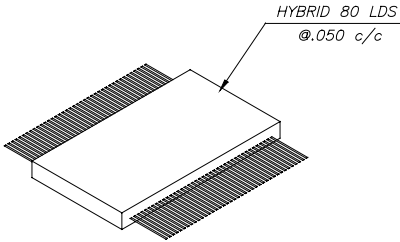
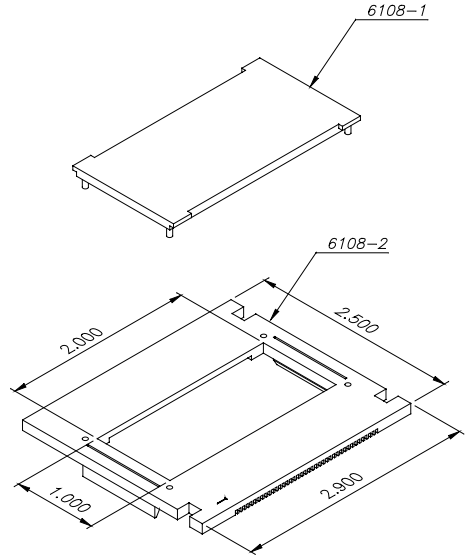
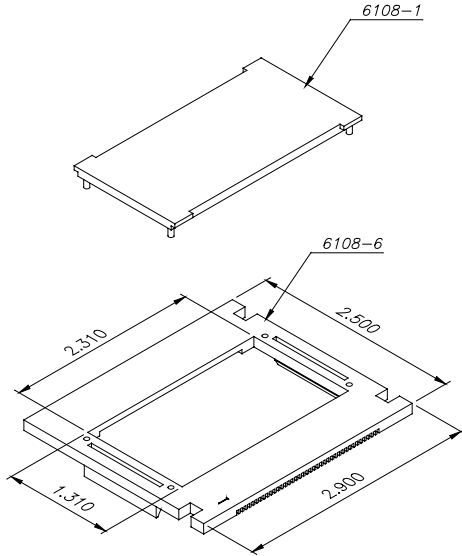
INSULATOR: PPS (POLYPHENYLENE SULFIDE)

THERMAL RANGE: -55°C/+155°C

FEATURES:

REPAIRABLE.

USED WITH CONTACTOR PART No. 6108.



6108-1,-6, & -7

6108-1,-2, & -3



2605 So. EL CAMINO REAL
SAN CLEMENTE, CA 92672 USA

(949) 492-6481 FAX (949) 492-0744
EMAIL sales@azimuth-electronics.com
www.azimuth-electronics.com