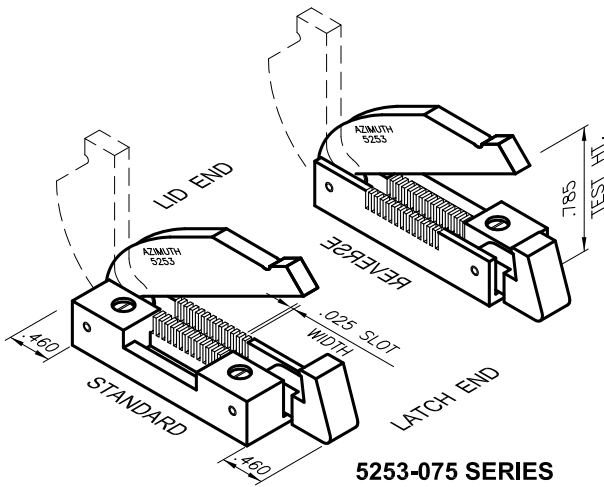




SOCKET TEST FOR LEADED PACKAGES
5253-075 SERIES
 AND
5254-075 SERIES
 (LOW PROFILE VERSION)

07/09



5253-075 SERIES

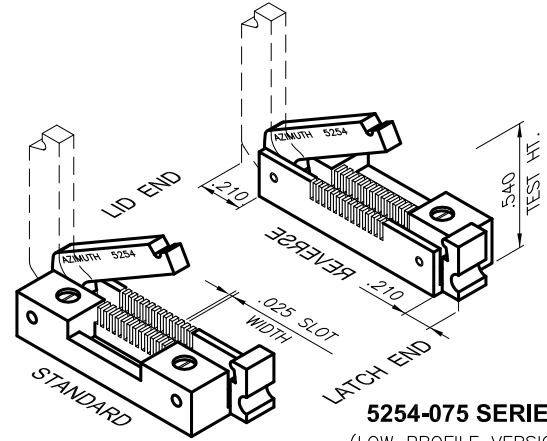
FEATURES:

ACCOMMODATES 1/C FLAT PACKS WITH .024 WIDE (MAX) BY .012 THICK (MAX) BY .160 LONG (MIN) LEADS ON .075 CENTERS.

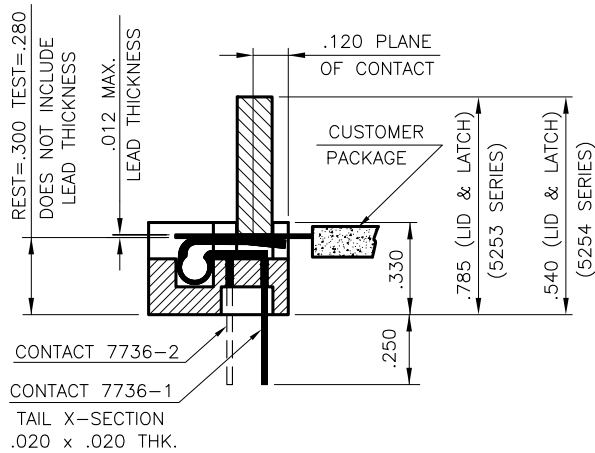
USE STANDARD AND REVERSE SOCKET FOR DOUBLE SIDED FLAT PACKS. AVAILABLE ON G-10 MOUNTING BOARDS OR PRINTED CIRCUIT BOARDS. CUSTOM BOARD AND SOCKET DESIGN SERVICES AVAILABLE. REPAIRABLE.

SPECIFICATIONS:

INSULATOR: PPS (POLYPHENYLENE SULFIDE)
 CONTACT: BeCu., SPRING TEMPERED 30u GOLD OVER 30u NICKEL
 THERMAL RANGE: -55°C/+155°C



5254-075 SERIES
 (LOW PROFILE VERSION)



REPLACEMENT PART NUMBERS:

CONTACT: 7736-1 AND 7736-2
 LATCH: 7727-1 (5253); 71393 (5254)
 LID : 71751-075-N or 71240-075-N

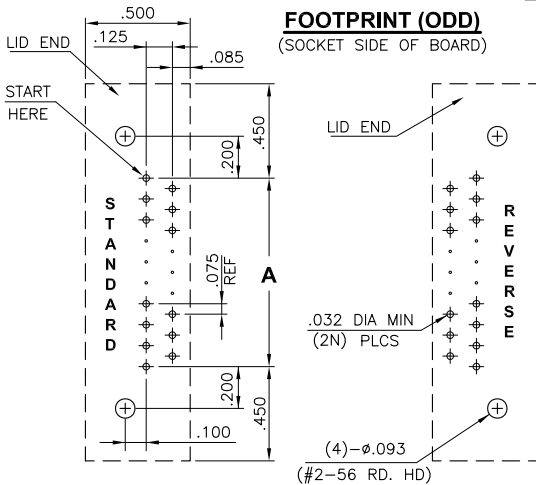


ORDERING INFORMATION:

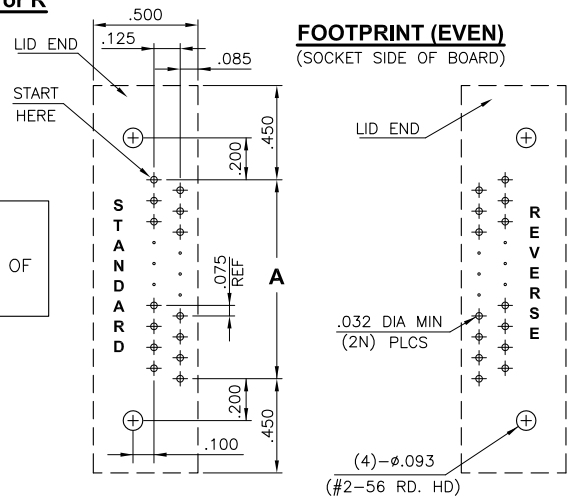
5253 or 5254 - 075 - N S or R



5253 or 5254 - 075 - N - S or R



FOOTPRINT (ODD)
 (SOCKET SIDE OF BOARD)



FOOTPRINT (EVEN)
 (SOCKET SIDE OF BOARD)

A = (.075)(N-1)
 WHERE N = NUMBER OF CONTACTS PER SIDE